

# NEW LST i Plus



## i Plus 72 models

Heights: 500mm, 650mm & 800mm

Lengths: 650mm to 2050mm

Outputs: 196 to 2767, 669 to 9441 Btu/hr

Types: K1, P+ & K2

For full details please refer to pages 126-129



# NEW Stelrad LST i Plus



## 50 $\Delta t$

K1

P+

K2



Casing Height

Casing Height	Casing Length mm	Emitter Height mm	Emitter Length mm	K1			P+			K2		
				UIN	Watts	Btu/hr	UIN	Watts	Btu/hr	UIN	Watts	Btu/hr
500	650	300	400	145200	196	669	145248	284	969	145224	348	1187
	850	300	600	145201	293	1000	145249	426	1454	145225	522	1781
	1050	300	800	145202	391	1334	145250	568	1938	145226	696	2375
	1250	300	1000	145203	489	1668	145251	710	2423	145227	870	2968
	1450	300	1200	145204	587	2003	145252	852	2907	145228	1044	3562
	1650	300	1400	145205	685	2337	145253	994	3392	145229	1218	4156
	1850	300	1600	145206	782	2668	145254	1136	3876	145230	1392	4750
650	2050	300	1800	145207	880	3003	145255	1278	4361	145231	1566	5343
	650	450	400	145208	290	989	145256	386	1317	145232	478	1631
	850	450	600	145209	435	1484	145257	580	1979	145233	717	2446
	1050	450	800	145210	580	1979	145258	773	2637	145234	956	3262
	1250	450	1000	145211	725	2474	145259	966	3296	145235	1195	4077
	1450	450	1200	145212	870	2968	145260	1159	3955	145236	1434	4893
	1650	450	1400	145213	1015	3463	145261	1352	4613	145237	1673	5708
800	1850	450	1600	145214	1160	3958	145262	1546	5275	145238	1912	6524
	2050	450	1800	145215	1305	4453	145263	1739	5933	145239	2151	7341
	650	600	400	145216	365	1245	145264	501	1709	145240	615	2098
	850	600	600	145217	548	1870	145265	751	2562	145241	922	3146
	1050	600	800	145218	730	2493	145266	1002	3419	145242	1230	4197
	1250	600	1000	145219	913	3115	145267	1252	4272	145243	1537	5244
	1450	600	1200	145220	1096	3740	145268	1502	5125	145244	1844	6295
1650	600	1400	145221	1278	4361	145269	1753	5981	145245	2152	7343	
1850	600	1600	145222	1461	4985	145270	2003	6837	145246	2459	8393	
2050	600	1800	145223	1643	5606	145271	2254	7691	145247	2767	9441	

## 40 $\Delta t$

K1

P+

K2



Casing Height

Casing Height	Casing Length mm	Emitter Height mm	Emitter Length mm	K1			P+			K2		
				UIN	Watts	Btu/hr	UIN	Watts	Btu/hr	UIN	Watts	Btu/hr
500	650	300	400	145200	147	500	145248	212	725	145224	260	888
	850	300	600	145201	219	748	145249	319	1087	145225	390	1332
	1050	300	800	145202	292	998	145250	425	1450	145226	521	1776
	1250	300	1000	145203	366	1248	145251	531	1812	145227	651	2220
	1450	300	1200	145204	439	1498	145252	637	2174	145228	781	2664
	1650	300	1400	145205	512	1748	145253	744	2537	145229	911	3109
	1850	300	1600	145206	585	1996	145254	850	2899	145230	1041	3553
650	2050	300	1800	145207	658	2246	145255	956	3262	145231	1171	3997
	650	450	400	145208	217	740	145256	289	985	145232	358	1220
	850	450	600	145209	325	1110	145257	434	1480	145233	536	1830
	1050	450	800	145210	434	1480	145258	578	1973	145234	715	2440
	1250	450	1000	145211	542	1850	145259	723	2465	145235	894	3050
	1450	450	1200	145212	651	2220	145260	867	2958	145236	1073	3660
	1650	450	1400	145213	759	2590	145261	1011	3451	145237	1251	4270
800	1850	450	1600	145214	868	2961	145262	1156	3946	145238	1430	4880
	2050	450	1800	145215	976	3331	145263	1301	4438	145239	1609	5490
	650	600	400	145216	273	932	145264	375	1279	145240	460	1570
	850	600	600	145217	410	1399	145265	562	1917	145241	690	2353
	1050	600	800	145218	546	1863	145266	749	2557	145242	920	3139
	1250	600	1000	145219	683	2330	145267	936	3195	145243	1150	3923
	1450	600	1200	145220	820	2797	145268	1123	3833	145244	1379	4706
1650	600	1400	145221	956	3262	145269	1311	4474	145245	1610	5492	
1850	600	1600	145222	1093	3729	145270	1498	5112	145246	1839	6276	
2050	600	1800	145223	1229	4193	145271	1686	5753	145247	2070	7062	

# NEW Stelrad LST i Plus



30  $\Delta t$

K1

P+

K2



## Casing Height

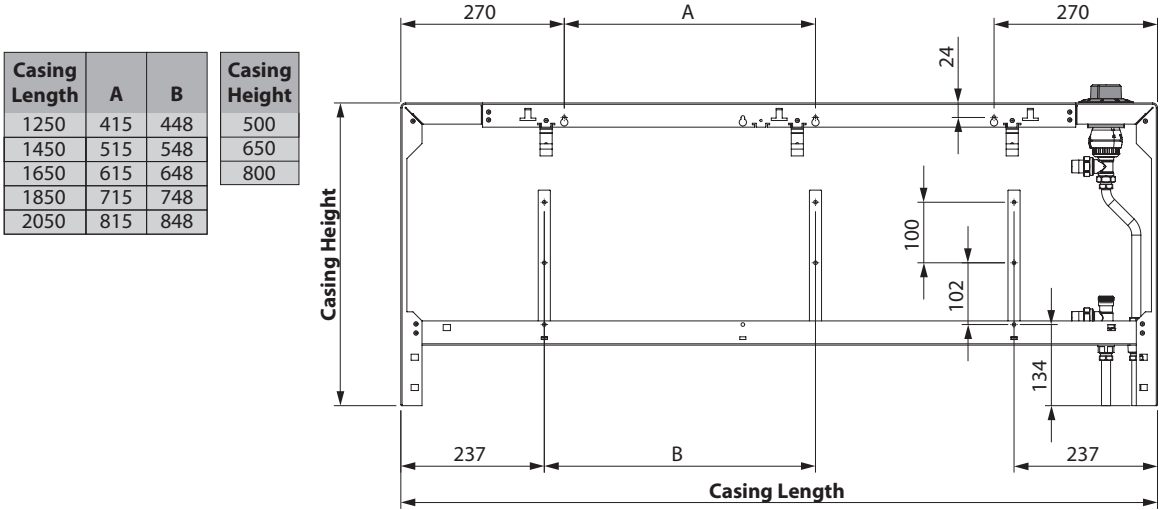
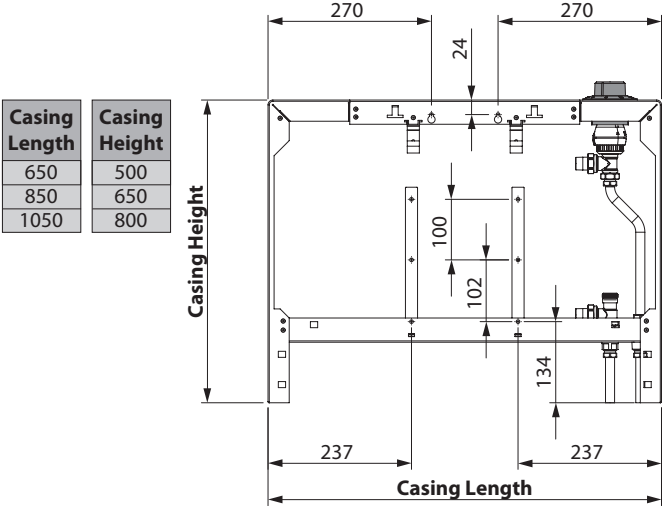
Casing Height	Casing Length mm	Emitter Height mm	Emitter Length mm	K1			P+			K2		
				UIN	Watts	Btu/hr	UIN	Watts	Btu/hr	UIN	Watts	Btu/hr
500	650	300	400	145200	101	344	145248	146	499	145224	179	611
	850	300	600	145201	151	515	145249	219	749	145225	269	917
	1050	300	800	145202	201	687	145250	293	998	145226	358	1223
	1250	300	1000	145203	252	859	145251	366	1248	145227	448	1529
	1450	300	1200	145204	302	1031	145252	439	1497	145228	538	1834
	1650	300	1400	145205	353	1204	145253	512	1747	145229	627	2140
650	1850	300	1600	145206	403	1374	145254	585	1996	145230	717	2446
	2050	300	1800	145207	453	1546	145255	658	2246	145231	806	2752
	650	450	400	145208	149	510	145256	199	678	145232	246	840
	850	450	600	145209	224	764	145257	299	1019	145233	369	1260
	1050	450	800	145210	299	1019	145258	398	1358	145234	492	1680
	1250	450	1000	145211	373	1274	145259	497	1697	145235	615	2100
800	1450	450	1200	145212	448	1529	145260	597	2037	145236	739	2520
	1650	450	1400	145213	523	1784	145261	696	2376	145237	862	2940
	1850	450	1600	145214	597	2038	145262	796	2717	145238	985	3360
	2050	450	1800	145215	672	2293	145263	896	3056	145239	1108	3780
	650	600	400	145216	188	641	145264	258	880	145240	317	1081
	850	600	600	145217	282	963	145265	387	1320	145241	475	1620
800	1050	600	800	145218	376	1283	145266	516	1761	145242	633	2161
	1250	600	1000	145219	470	1604	145267	645	2200	145243	792	2701
	1450	600	1200	145220	564	1926	145268	774	2639	145244	950	3240
	1650	600	1400	145221	658	2246	145269	903	3080	145245	1108	3781
	1850	600	1600	145222	752	2567	145270	1032	3520	145246	1266	4321
	2050	600	1800	145223	846	2887	145271	1161	3961	145247	1425	4862

## EN 442 Certification Data - CETIAT tested in accordance with BS EN 442

Type	K1			P+			K2		
	500	650	800	500	650	800	500	650	800
Casing Height	500	650	800	500	650	800	500	650	800
Emitter Height	300	450	600	300	450	600	300	450	600
W/m at 75/65/20	489	725	913	710	966	1252	870	1195	1537
n-coefficients	1.19	1.25	1.34	1.24	1.27	1.31	1.27	1.30	1.32
Heated Surface Area (m <sup>2</sup> /m)	2.09	3.37	4.66	2.44	3.84	5.24	3.51	5.62	7.74
Weight (kg/m)	17.80	23.50	29.40	22.70	30.72	38.40	24.40	33.30	42.50
Water Contents (l/m)	1.89	2.57	3.25	3.70	5.15	6.60	3.70	5.15	6.60

# LST i Plus wall fixings and bracket positions

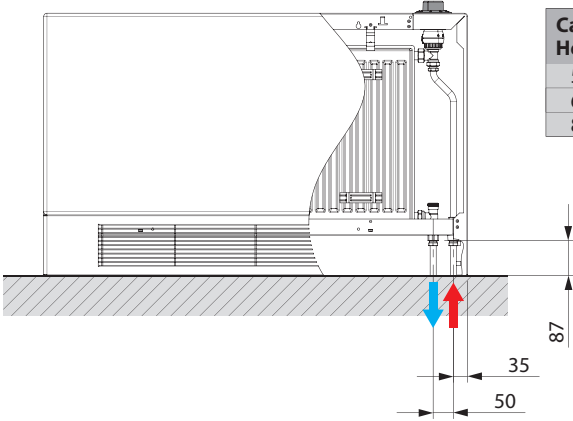
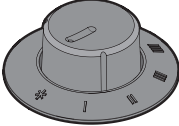
All dimensions in mm.



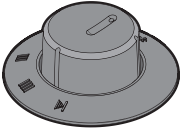
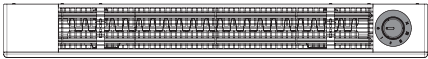
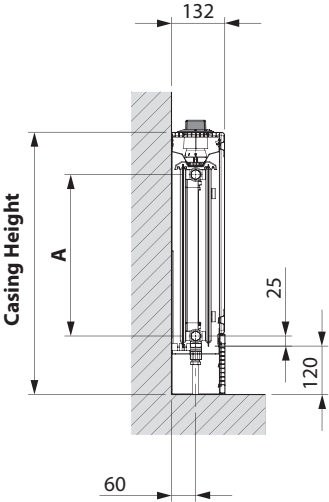
# LST i Plus connection options

All dimensions in mm.

## Control on right-hand side



Casing Height	A
500	250
650	400
800	550



## Control on left-hand side

