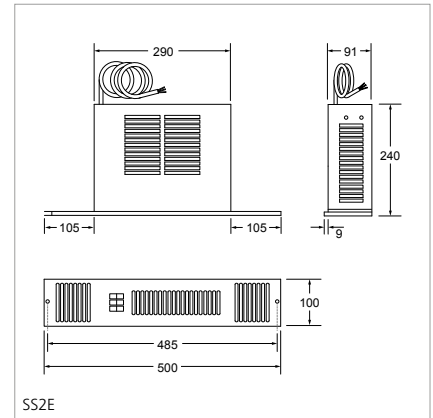
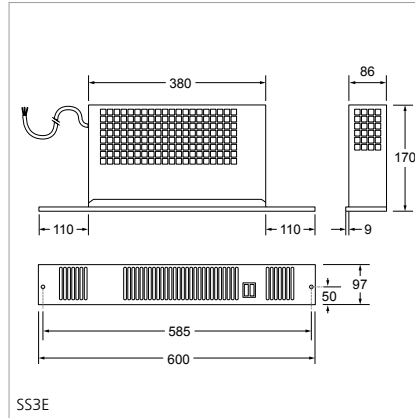


# Space Saver - Electric

A highly energy efficient fan convector that fits neatly into the plinth of a kitchen unit and eliminates the need for conventional radiators



## Features

- Makes room for extra kitchen storage, work space, or additional appliances
- More affordable than underfloor heating
- Get the flooring you want
- Discreet heating
- Easy to use
- Suitable for plinth heights from 80mm upwards
- Contemporary design with a wide choice of grille colours to suit interior decoration
- Two heat outputs and fan only option for instant heat and cool air circulation
- Low voltage bathroom model available for high humidity areas
- Free five years parts and labour warranty

## Applications

- Kitchen
- Utility

## Motor

AC

## Finish

Fascia grille: Stainless Steel or White RAL 9010 (SS2E, SS3E)  
See under attachments for other fascia grille colours

## Installation

Correct fascia grille opening must be cut to allow sufficient air intake  
SS2E and SS3E - 20mm clearance above unit required  
SS80E - 10mm clearance above unit required  
Model secured to plinth by two screws through fascia grille  
Unit must be earthed

## Controls

Wireless temperature control featuring comfort, set back and run back timer (battery operated) supplied.  
Overheat protection: thermal cut-out. Manual reset procedure: switch power off at unit or mains, wait 5 minutes, switch power on  
SS2E: three rocker switches On/off, 1kW, 2kW  
SS3E: two rocker switches 1kW, 2kW, 3kW  
SS80E: three rocker switches On/off, 0.6kW, 1.2kW

## Accessories

Wall-mounted control switch (white) to suit SS2E

## Attachments

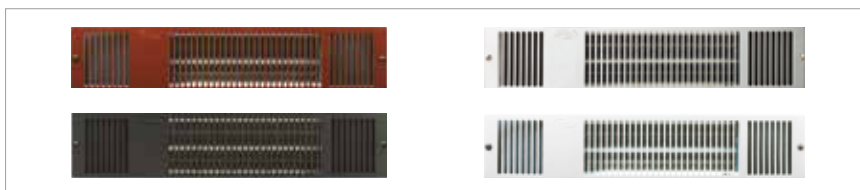
SS2E:

Grilles: brown - RAL 8016, black - RAL 9005, white - RAL 9010, chrome. Alternative grilles for SS2E fit over the supplied grille

SS80E:

Grilles: brown - RAL 8016, black - RAL 9005, white - RAL 9010

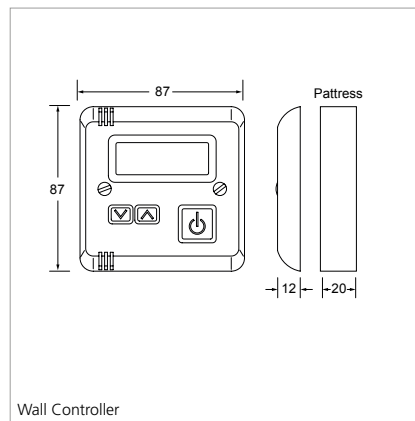
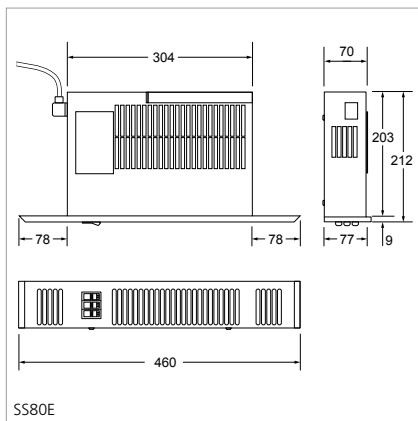
## Attachments



Brown, black, chrome or white fascia grilles (grilles shown are for colour reference only and switch configuration varies by product). See below for further details.

# Space Saver - Electric

A highly energy efficient fan convector that fits neatly into the plinth of a kitchen unit and eliminates the need for conventional radiators



## Outputs

Model	Heat output (kW)	Total Power Consumption (kW)	Fused spur	Mains cable	Sound levels (dBA)	Fascia grille finish colour	Fan-only	Minimum plinth height (mm)
SS2E	1kW/2kW	1kW/2kW	10A	2m	42	Brushed Steel	•	100
SS3E	1kW/2kW/3kW	1kW/2kW/3kW	13A	2m	42	Brushed Steel	•	100
SS80E	0.6kW/1.2kW	0.6kW/1.2kW	10A	2m	38	Stainless Steel	•	80

## Ordering guide

Model	Packed Wt (kg)	Product Codes
<b>Electric</b>		
SPACE SAVER SS2E (STAINLESS STEEL GRILLE)	4	HPSS10070
SPACE SAVER SS2E (WHITE GRILLE)	4	HPSS10079
SPACE SAVER SS3E (STAINLESS STEEL GRILLE)	5	HPSS10075
SPACE SAVER SS3E (WHITE GRILLE)	5	HPSS10084
SPACE SAVER SS80E (STAINLESS STEEL GRILLE)	4	HPSS10073
<b>Attachments</b>		
	<b>Colour</b>	
SPACE SAVER SS2E GRILLE	BROWN	HASS10131
SPACE SAVER SS2E GRILLE	BLACK	HASS10132
SPACE SAVER SS2E GRILLE	WHITE	HASS10133
SPACE SAVER SS2E GRILLE	CHROME	HASS10134
SPACE SAVER SS80E GRILLE	BROWN	HASS10151
SPACE SAVER SS80E GRILLE	BLACK	HASS10152
SPACE SAVER SS80E GRILLE	WHITE	HASS10153
SPACE SAVER SS80E GRILLE	CHROME	HASS10164
<b>Accessories</b>		
SPACE SAVER WALL MOUNTED CONTROL SWITCH SS2E		HASS10161
FLEXIBLE HOSES 15MM PAIR		HAGA95002

As part of our commitment to continuous improvement Smith's Environmental Products may change the specifications of its products without prior notification or public announcement. All descriptions, illustrations, drawings and specifications in this publication present only general particulars and shall not form part of any contract. All dimensions are in mm unless otherwise stated.

# Space Saver - Electric

Most Space Saver models are supplied with a detachable brushed Stainless Steel fascia grille. Alternative attachment grille colours are shown below to match your application.

## SS2E



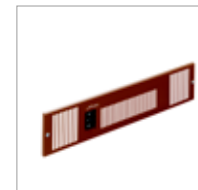
### Attachments (to be ordered separately)



SS2E - chrome grille



SS2E - white grille



SS2E - brown grille



SS2E - black grille

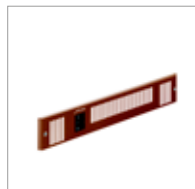
## SS3E



## SS80E



### Attachments (to be ordered separately)



SS80E - brown grille



SS80E - black grille



SS80E - chrome grille



SS80E - white grille