



## Solano

A hydronic fan-assisted unit heater designed to heat large indoor areas

# Solano - Unit Heater

A modern and lightweight hydronic fan-assisted unit heater designed to heat open areas such as production and warehouse halls, car showrooms, service stations, sports halls and agricultural facilities



## Features

- Lightweight for easy installation <15kg
- High performance heat output up to 70kW\*
- Air volumes up to 4100 m<sup>3</sup>/h
- 3 speed fan
- Attractive design

## Applications

Production and warehouse halls, car showrooms, service stations, sports halls and stadiums, sacral buildings and churches, retail stores and wholesale outlets, agricultural facilities and exhibition surfaces.

## Finish

Expanded Polypropylene (EPP) - Silver grey.

## Installation

Suitable for wall or ceiling mounting.  
Bracket design aids installation at also 30° and 60°.

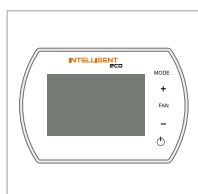
## Specification

To specify state:  
Lightweight hydronic fan-assisted unit heater at 10-30kW/30-50kW/  
50-70kW.  
As Smith's Solano.

## Controls



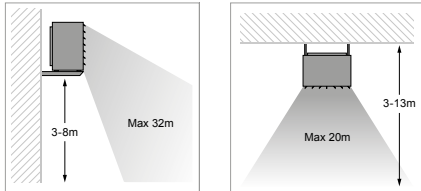
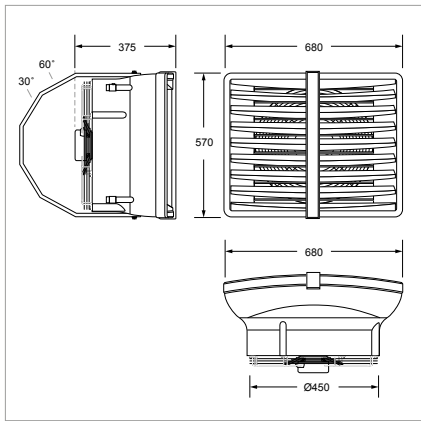
- Panel COMFORT
- Manual temperature regulation
  - Fan speed change
  - Ventilation in summer season
  - Control up to 3 pcs of HEATER



- Panel INTELLIGENT
- Weekly thermostat
  - Automatic change of fan speed depending on room temperature
  - BMS communication
  - Control up to 2 pcs of HEATER



- Splitter MULTI 6
- Control up to 6 pcs of HEATER



### Technical data

		HEATER R1	HEATER R2	HEATER R3	HEATER MIX
heat output range	kW	10-30	30-50	50-70	-
max air output	m³/h	4 100	3 500	3 400	5 600
no of unit rows	-	1	2	3	-
air temperature increase*	°C	14	29	29	-
max working pressure	Mpa	1.6	1.6	1.6	-
max airflow range	m	27	25	24	15 **
diameter of connection nozzles	inches	3/4"	3/4"	3/4"	-
power supply	V/Hz A	230/50	1.15 A	230/50	1.16 A
motor power	kW	0.25	0.25	0.36	0.36
motor speed	rpm	1350	1350	1400	1400
protection class IP	-	IP54	IP54	IP54	IP54
sound level	dB (A)***	59.4	59.4	60.5	60.5
weight without water/ with water	kg	10.8 / 11.9	12.7 / 14.8	14.5 / 16.9	9.2

\* for temperatures of 90/70 and inlet temperature of 0°C

\*\* maximum height of assembly for vertical airflow, max working range of up to 380m².

Horizontal range of isothermal stream at velocity of 0.5 m/s

\*\*\* measured in distance of 5m

**Heat output** For other heat output data please download the data sheet from our website

inlet/outlet water temperature		water 70/50 °C					water 80/60 °C					water 90/70 °C				
inlet air temperature	°C	0	5	10	15	20	0	5	10	15	20	0	5	10	15	20
<b>Heater R1</b>		Air flow 4100 m³/h (speed 3)														
heat output	kW	14.66	13.20	11.74	10.28	8.82	17.74	16.27	14.80	13.35	11.89	20.77	19.30	17.83	16.37	14.91
outlet air temperature	°C	9.90	14.10	18.20	22.30	26.30	12.00	16.20	20.30	24.50	28.60	14.00	18.20	22.40	26.60	30.70
water flow	m³/h	0.64	0.58	0.51	0.45	0.39	0.78	0.71	0.65	0.59	0.52	0.92	0.85	0.79	0.72	0.66
pressure drop	kPa	10.35	8.56	6.92	5.45	4.13	14.26	12.18	10.27	8.52	6.92	18.57	16.25	14.08	12.06	10.18
<b>Heater R2</b>		Air flow 3500 m³/h (speed 3)														
heat output	kW	26.20	23.65	21.11	18.59	16.08	31.39	28.82	26.28	23.76	21.24	36.53	33.94	31.38	28.84	26.32
outlet air temperature	°C	20.70	24.00	27.30	30.40	33.60	24.80	28.20	31.50	34.70	37.90	28.90	32.30	35.70	39.00	42.20
water flow	m³/h	1.15	1.03	0.92	0.81	0.70	1.38	1.27	1.15	1.04	0.93	1.61	1.50	1.39	1.27	1.16
pressure drop	kPa	10.53	8.76	7.15	5.69	4.39	14.19	12.18	10.32	8.61	7.04	18.22	15.96	13.86	11.91	10.10
<b>Heater R3</b>		Air flow 3400 m³/h (speed 3)														
heat output	kW	37.8	34.5	31.1	27.7	24.3	45.1	41.8	38.4	35.1	31.7	52.3	49.0	45.7	42.4	39.1
outlet air temperature	°C	29.0	31.5	34.0	36.4	38.8	34.5	37.1	39.6	42.1	44.5	40.0	42.6	45.2	47.7	50.1
water flow	m³/h	1.7	1.5	1.4	1.2	1.1	2.0	1.8	1.7	1.5	1.4	2.3	2.2	2.2	1.9	1.7
pressure drop	kPa	13.6	11.5	9.6	7.8	6.2	18.3	15.9	13.7	11.6	9.7	23.4	20.8	18.3	16.0	13.8

### Ordering guide

Model	Wt (kg)	Product Codes
HEATER R1 (10-30 kW)	10.8 / 11.9	HPUH310011
HEATER R2 (30-50 kW)	12.7 / 14.8	HPUH310012
HEATER R3 (50-70 kW)	14.5 / 16.9	HPUH310013
HEATER MIX	9.2	HPUH310004

Accessories	Product Codes
Panel INTELLIGENT	HPUH310008
Panel COMFORT	HPUH310009
Splitter MULTI 6	HPUH310010

### Happy to help

Smith's Environmental Products Ltd is one of the leading manufacturers of heating and cooling products in the UK. We are committed to achieving the highest standards and our faith is supported by a free parts and labour guarantee with every product (see our website for more information). Our customer service is second to none and we are happy to offer any help and guidance that you might need.

### Stockists

All products are available nationally from Builders' Merchants, Plumbers' Merchants, Heating Equipment Distributors and Kitchen Equipment Distributors. In the event of difficulty, please contact us or visit our website [SmithsEP.co.uk](http://SmithsEP.co.uk) for details of your nearest stockist.

### Information and advice

Full technical specifications and list prices are available to download from our website or in hard copy from our office. Also available on our website are price lists, individual product data sheets, installation & user guides, where to buy, who to contact and a media centre.

Alternatively contact our office 9.00am to 5.00pm Monday to Friday.

As part our commitment to continuous improvement Smith's Environmental Products may change the specifications of its products without prior notification or public announcement. All descriptions, illustrations, drawings and specifications in this publication present only general particulars and shall not form part of any contract. All dimensions are in mm unless otherwise stated. Please visit the website for the most up to date information.

To view the full product information  
download the datasheet at:  
[www.SmithsEP.co.uk](http://www.SmithsEP.co.uk)

For product information, customer services or  
sales support call us on **+44 (0) 1245 324900**

For the Republic of Ireland, contact  
MT Agencies on **01 864 3363**

**Sales: [sales@smithsep.co.uk](mailto:sales@smithsep.co.uk)**  
**General information: [info@smithsep.co.uk](mailto:info@smithsep.co.uk)**

Smith's Environmental Products Ltd  
Blackall Industrial Estate,  
South Woodham Ferrers,  
Chelmsford, Essex CM3 5UW

**SmithsEP.co.uk**

**@SmithsEP\_UK**

**#ThinkSmiths**

ENGLISH | UK | IRL | March 2020