



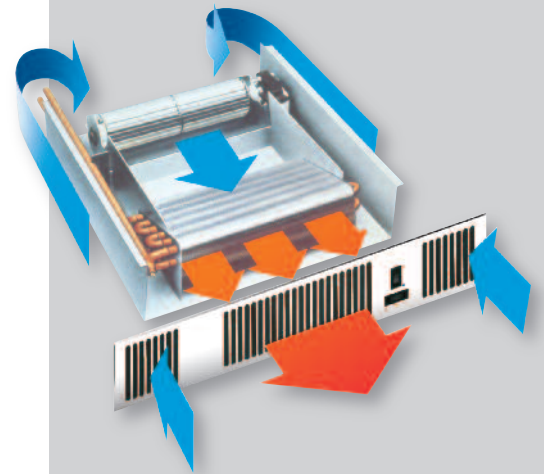
KICKSPACE®

“Over 70% of people think that they would benefit from additional kitchen space”

(ICM Research 2012)

The space saving solution.

A classic space saving solution. Clever by design, the **KICKSPACE®** unit fits neatly within a unit plinth or floor cavity providing a fresh thinking, innovative heating solution. Where traditional radiators take up precious wall space and restrict design possibilities, the **KICKSPACE®** heater allows freedom to tailor your home around your lifestyle. Central heating, electric and duo models available.



How KICKSPACE® works.

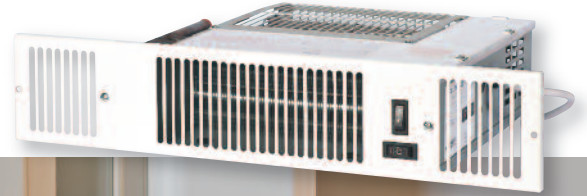
KICKSPACE® works by drawing room air over the heated fins of the unit heat exchanger and projecting warm air back into the room. Controls are situated on the front grille, with the unit having a choice of heating fan speeds (winter setting) as well as a fan-only (summer setting) operation.

The kitchen is often where space is most at a premium and the **KICKSPACE®** can deliver the most benefits but equally, the bathroom or hallway can be alternative applications. All versions are designed to be installed horizontally into recessed locations. They require an adequate supply of inlet air and the axis of the motor must remain horizontal.

KICKSPACE®
HYDRONIC.

KICKSPACE® 500, 600 & 800.

Our most popular range of **KICKSPACE®** models, they fit neatly within kitchen plinths to save valuable space. The hydronic range connects to the central heating system like a radiator, but also requires an electrical connection to power the fan.



Available as a low voltage model for use in bathrooms



KICKSPACE® 600-12V.

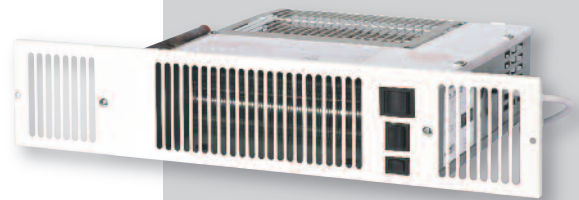
Perfect for bathrooms or areas of high humidity. The low voltage **KICKSPACE®** still connects to a heating system, but comes with a transformer that will reduce the input voltage from 230V to 12V.



KICKSPACE® DUO & ELECTRIC.

KICKSPACE® 500 Duo.

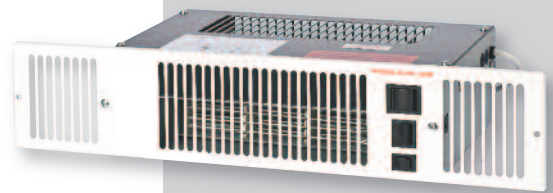
The Duo model delivers the best of both worlds. Instant heat from the electrical element, and then, when the central heating is up to temperature, simply switch over to central heating mode.



500 Duo

KICKSPACE® 500E.

This electric fan convector is ideal for homes that either do not have central heating, or where routing pipework to an area could be difficult. The electrical element provides instant heat.



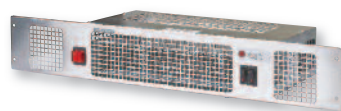
500E

KICKSPACE® 600E.

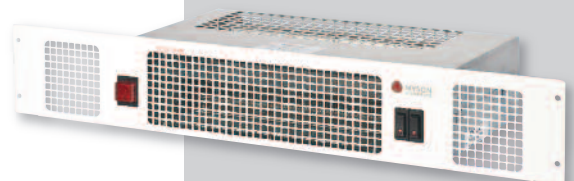
Another electrical fan convector, the 600E is able to provide larger outputs up to 3kW. Unlike the other products in the range, the 600E comes with a fixed grille and has the option of White, Brown or the popular Brushed Stainless Steel.



600E Brown

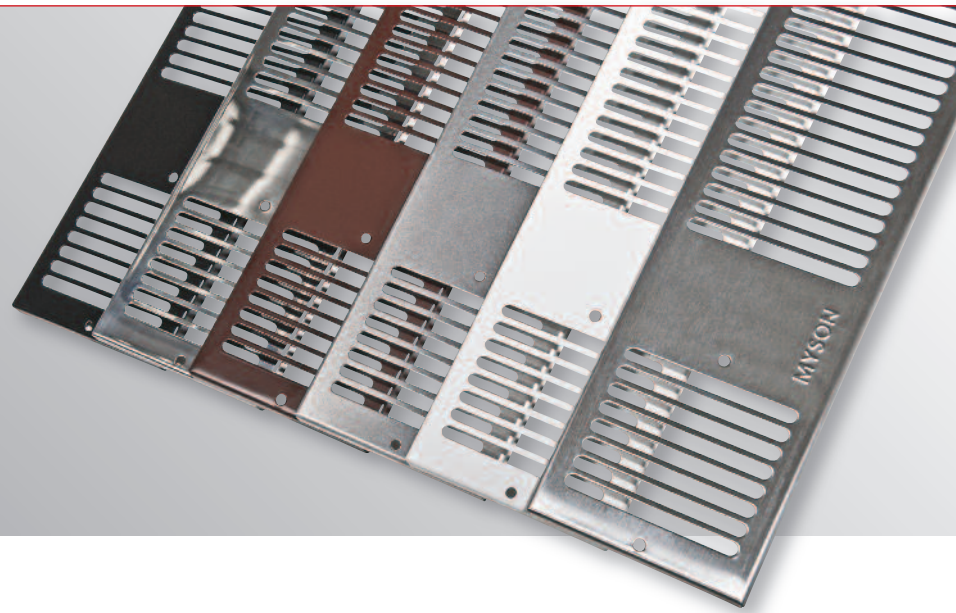


600E Brushed
Stainless Steel



600E White

KICKSPACE® ACCESSORIES.



KICKSPACE® Grilles.

The unit grilles can be customised to suit any room or décor with a variety of metallic and colour finish options. Painted grilles come in White (supplied), Brown and Black with metallic options in Brushed Stainless Steel, Chrome and Aluminium.



KICKSPACE® Thermostat.

The building regulations part L (Conservation of fuel and power) recommends that every room should be thermostatically controlled. The **KICKSPACE®** room thermostat will sense the room temperature and, if required, will activate the unit to provide additional heat.



KICKSPACE® Wall Switches.

The remote wall switch can be customised to suit any room décor with a variety of metallic and colour finish options.



KICKSPACE® Product Range

Hydronic Product Range

Model	Flexible Hoses*	Isolating Valves (15mm)	Electric Cable	Transformer	Fan Only Option
KICKSPACE® 500	Supplied	Supplied	2 metres (mains fitted)	N/A	Yes
KICKSPACE® 600	Supplied	Supplied	2 metres (mains fitted)	N/A	Yes
KICKSPACE® 800	Supplied	Supplied	2 metres (mains fitted)	N/A	Yes

Low Voltage Hydronic Product Range

Model	Flexible Hoses*	Isolating Valves (15mm)	Electric Cable	Transformer	Fan Only Option
KICKSPACE® 600-12V	Supplied	Supplied	1 metre (low voltage fitted) 1 metre (mains fitted)	Supplied (external from product)	Yes

Duo (Hydronic-Electric) Product Range

Model	Flexible Hoses*	Isolating Valves (15mm)	Electric Cable	Transformer	Fan Only Option
KICKSPACE® 500 Duo	Supplied	Supplied	2 metres (mains fitted)	N/A	Yes

Electric Product Range

Model	Flexible Hoses*	Isolating Valves (15mm)	Electric Cable	Transformer	Fan Only Option
KICKSPACE® 500E	N/A	N/A	2 metres (mains fitted)	N/A	Yes
KICKSPACE® 600E	N/A	N/A	2½ metres (mains fitted)	N/A	Yes

*750mm x 10mm bore, EPDM hoses, sheathed in AISI 304 stainless steel braid.

Please note that KICKSPACE® 600E grilles are an integral part of the product and can not be changed.

KICKSPACE® Controls

Hydronic (KICKSPACE® 500, 600, 800, 600-12V)

Fan Speed - Normal/off/boost.

Summer/Winter - Fan only/heating option.

Hydronic Electric (KICKSPACE® 500 Duo)

Summer/Off/Winter - Fan only/off/heating options.

System Selector - Central heating/electric heating.

Fan Speed - Normal/boost.

Electric (KICKSPACE® 500E)

Summer/Off/Winter - Fan only/off/heating option.

Power Selector - 1kW or 2kW.

Fan Speed - Normal/boost.

Electric (KICKSPACE® 600E)

Summer/Winter/Output.

KICKSPACE® Performance Data

Hydronic Models

It is preferable to select the model with an output capable of maintaining the calculated heat losses of the room when operating at normal speed. This will enable the boost fan speed and the higher temperature differences to be used to greater advantage for rapid warming of the room from cold in excessive conditions.

When establishing the temperature difference, i.e. mean water to room temperature, allowance should be made for temperature drop in the system. It is the water temperature at the convector which dictates the output.

Hydronic Heating Performance Data

Model	Fan Speed	Temperature Difference (°C)									
		Heat Output (Watts)					Heat Output (Btu/h)				
		20°	30°	40°	50°	60°	20°	30°	40°	50°	60°
500	Normal	393	566	733	896	1056	1340	1930	2501	3057	3603
	Boost	447	683	923	1166	1412	1524	2331	3150	3980	4817
600	Normal	467	729	1000	1278	1562	1592	2486	3412	4361	5330
	Boost	607	939	1279	1625	1977	2072	3203	4363	5545	6744
800	Normal	747	1077	1396	1707	2012	2550	3675	4763	5824	6864
	Boost	845	1289	1738	2192	2649	2885	4397	5930	7478	9039

Heat outputs tested in accordance with BS 4856 Part 1.

Low Voltage Hydronic Heating Performance Data

Model	Fan Speed	Temperature Difference (°C)									
		Heat Output (Watts)					Heat Output (Btu/h)				
		20°	30°	40°	50°	60°	20°	30°	40°	50°	60°
600 - 12V	Normal	467	729	1000	1278	1562	1592	2486	3412	4361	5330
	Boost	607	939	1279	1625	1977	2072	3203	4363	5545	6744

Heat outputs tested in accordance with BS 4856 Part 1.

Duo (Hydronic/Electric) Heating Performance Data - Electric Mode

The unit will operate on either fan speed to provide 1kW of heating.

Duo (Hydronic/Electric) Heating Performance Data - Hydronic Mode

Model	Fan Speed	Temperature Difference (°C)									
		Heat Output (Watts)					Heat Output (Btu/h)				
		20°	30°	40°	50°	60°	20°	30°	40°	50°	60°
500 Duo	Normal	273	447	636	835	1043	930	1527	2169	2849	3560
	Boost	372	597	835	1083	1340	1269	2037	2849	3696	4571

Heat outputs tested in accordance with BS 4856 Part 1.

Flow Rate: 340 ltr/h (75 gal/h).

Flow Rate Correction Factors:

- 455 ltr/h (100 gal/h) multiply output by 1.03.
- 227 ltr/h (50 gal/h) multiply output by 0.96.
- 113 ltr/h (25 gal/h) multiply output by 0.85.

Approximate Hydraulic Resistance

ltr/h	mm wg					kPa				
	500	600	800	600-12V	500 Duo	500	600	800	600-12V	500 Duo
455	788	1046	911	1046	652	7.7	10.3	8.9	10.3	6.4
340	488	625	544	625	380	4.8	6.1	5.3	6.1	3.7
227	231	326	258	326	204	2.3	3.2	2.5	3.2	2.0
113	82	95	82	95	68	0.8	0.9	0.8	0.9	0.7

KICKSPACE® Performance Data (continued)

Air Flow

Model	Air Flow (m³/h)		Air Flow (ft³/h)	
	Normal	Boost	Normal	Boost
500	70	90	2471	3177
600	106	138	3742	4872
800	139	210	4908	7415
600-12V	106	138	3742	4872
500 Duo	70	90	2471	3117

Weight, Water Content and Motor Power

Model	Motor Power (W)	Water Content (l)	Unit Weight (kg)
500	25	0.26	4.3
600	40	0.30	5.0
800	40	0.34	5.5
600-12V	40	0.30	7.9*
500 Duo	25	0.26	4.5

* Includes transformer

Sound Levels

Model	Sound Pressures at 2.5m (dBA)	
	Normal	Boost
500	25.7	38.1
600	26.4	37.2
800	28.5	49.8
600-12V	29.4	39.0
500 Duo	25.7	38.1

Sound levels tested in accordance with EN 23741.

Electric Models

Electric Heating Performance Data

Model	Heat Output (Watts)		
	Low	Medium	High
500E	1000	N/A	2000
600E	1000	2000	3000

Weight

Model	Unit Weight (kg)
500E	3.0
600E	3.5

Air Flow

Model	Air Flow (m³/h)		Air Flow (ft³/h)	
	Low	High	Low	High
500E	70	90	2471	3177
600E	210	N/A	7560	N/A

Sound Levels

Model	Sound Pressures at 2.5m (dBA)	
	Low	High
500E	27.2	40.2
600E	38.0	N/A

Sound levels tested in accordance with EN 23741.

KICKSPACE® Remote Wall Switch (optional)

Available Finishes: White, Chrome, Brass, Brushed Stainless Steel.
All remote wall switches are supplied with 3 metres of cable. All models are equipped to facilitate direct wiring.

Suitable for uses with standard single gang surface or recessed mounting box (not supplied). The switch must only be used to operate a single KICKSPACE® unit.

For use on Hydronic and Hydronic-Electric (Duo) models only. Not suitable for Electric only models.

N.B: When a remote wall switch is fitted, the fan speed control switch on the KICKSPACE® fascia grille becomes inoperable and must be disconnected.

KICKSPACE® Remote Thermostat

The remote room thermostat is supplied White as standard and is suitable for 500, 600 & 800 **Hydronic** models.

KICKSPACE® Grille Colour Options

KICKSPACE® models 500, 600, 800, 600-12V, 500 Duo and 500E are supplied with a White (RAL 9003) grille. All these models are also available in Brown (RAL 8017), Black (RAL 9011), Chrome, Brushed Stainless Steel and Aluminium. The 600E fascia grille is an integral part of the product and can not be removed and is supplied with either a White or Brown grille.

KICKSPACE® Electrical Data

All KICKSPACE® models require an electrical supply of 220-240V-50Hz. All models can be used in conjunction with a room thermostat, however it is essential that the thermostat used is capable of carrying the electrical load.

Hydronic (KICKSPACE® 500, 600 & 800)

Supplied with 2 metres of cable (0.75mm²).
Requires a supply fused at 3A.

Low Voltage Hydronic (KICKSPACE® 600-12V)

Supplied with 2 metres of cable (0.75mm²).
Requires a supply fused at 3A.

N.B: Low voltage models comply with BS 7671 section 601 (IEE Safety Extra Low Voltage wiring regulations for bathrooms). The transformer complies with BS 3535. Where a remote switch or thermostat is used, the line voltage to both is 12 volts maximum.

Hydronic Electric (KICKSPACE® 500 Duo)

Supplied with 2 metres of cable (0.75mm²).
Requires a supply fused at 5A.

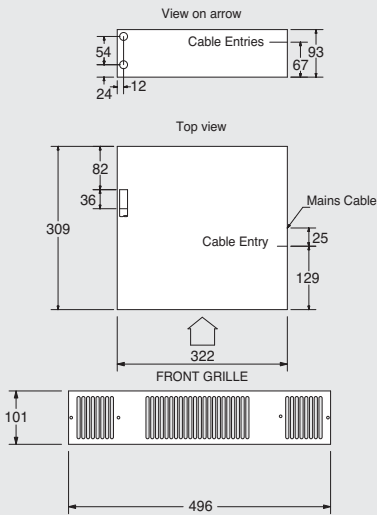
Electric (KICKSPACE® 500E & 600E)

500E supplied with 2 metres of cable (1.0mm²).
Requires a supply fused at 10A.

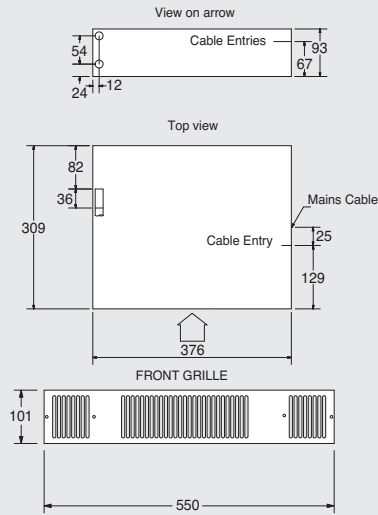
600E supplied with 2½ metres of cable (1.0mm²).
Requires a supply fused at 13A.

KICKSPACE® Dimensions

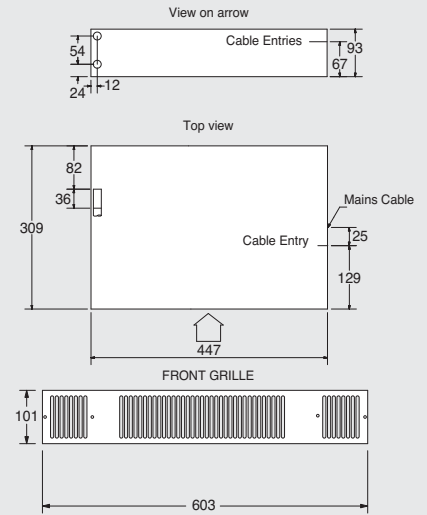
KICKSPACE® 500



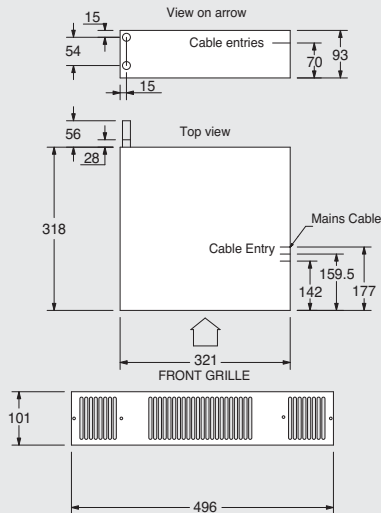
KICKSPACE® 600



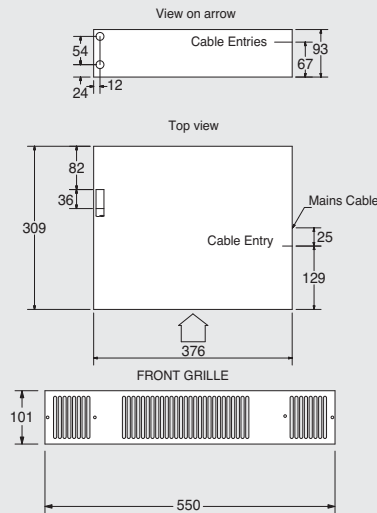
KICKSPACE® 800



KICKSPACE® 500 Duo



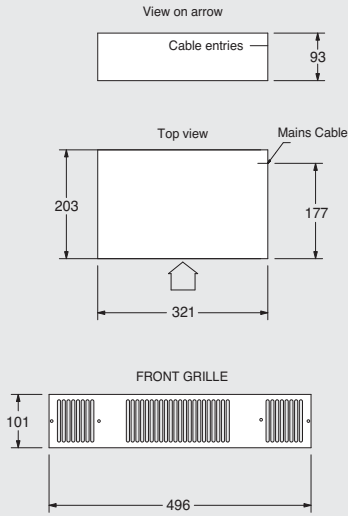
KICKSPACE® 600-12V



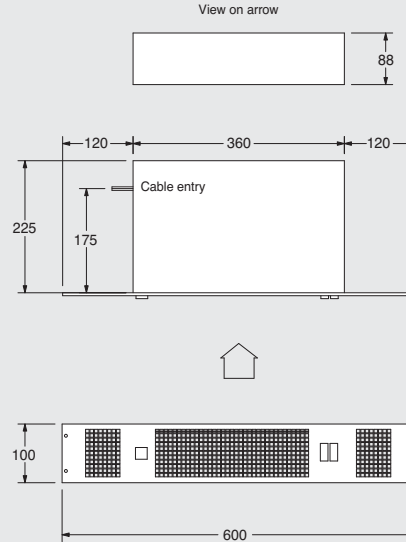
N.B: Add 4.5mm to the chassis height of the above models to allow for rubber mountings and screws.

KICKSPACE® Dimensions (continued)

KICKSPACE® 500E

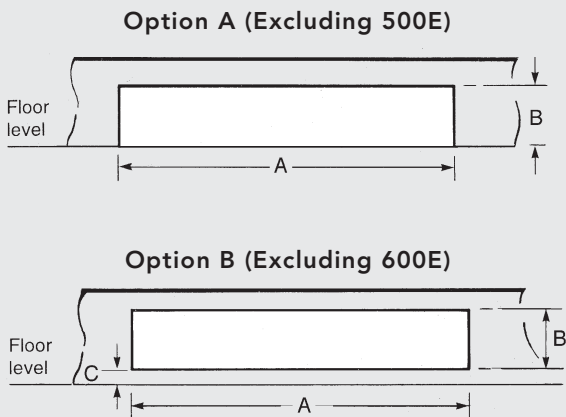


KICKSPACE® 600E



N.B: KICKSPACE® 500E: Add 4.5mm to the chassis height of the above models to allow for rubber mountings and screws.

KICKSPACE® Kickboard Dimensions



Dimensions of opening to be cut in Kickboard - KICKSPACE® 500, 600, 600-12V, 800, 500 Duo, 500E, 600E

Model	Dimensions (mm)		
	A	B	C
500, 500 Duo, 500E	466	93	17
600, 600-12V	520	93	17
800	573	93	17
600E	540	88	N/A