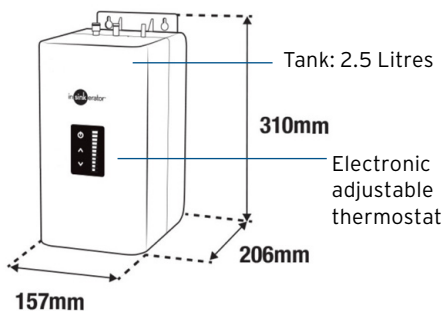


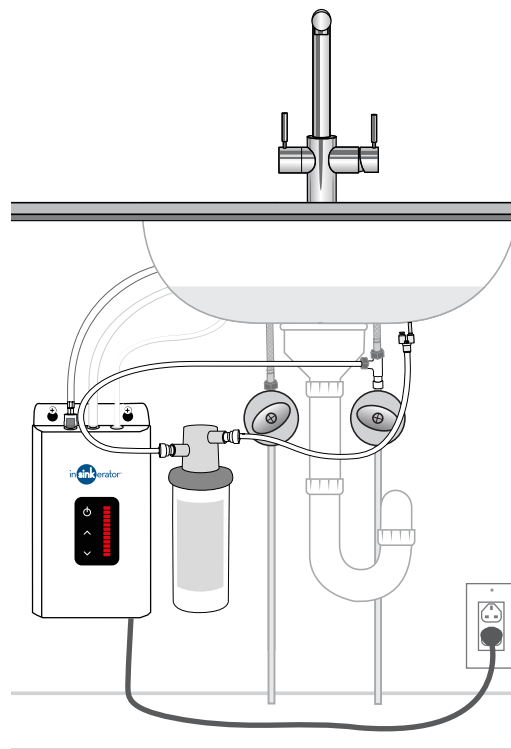
NeoTank®



Dimensions



Stainless Steel Tank dispenses filtered steaming hot water instantly.



Specifications

Capacity	2.5 litre stainless steel tank
Electrical	220-240 volts, A.C., 1300 watts, 5.7 amp heating element with grounded plug. Standby Energy Usage with max temperature: 19,4 W
Thermostat	Electronic adjustable from 88°C to 99°C (factory pre-set at 96°C)
Insulation	Meets U.L. 94HF-1 flammability specification
Recommended Supply Pressure	1.7-8.6 bar
Shipping Weight	Approximately 2.7 kg Tank, 4.7 kg w/filtration system

Features

- 2.5 litre stainless steel tank
- Features a digital adjustable dial that allows you to set the water temperature in tank between 88° and 99°
- Comes with Tank/Filter/Installation Pack
- Maintains the precise temperature setting $\pm 1^{\circ}\text{C}$
- Tool-free tank connections and dry start protection to ease installation
- 220-240 volts, 1300 watts, 5.7 amps
- For use with InSinkErator® instant hot water taps, integrated faucets and filtration systems
- Unit not for commercial/ industrial use

Instant hot water tap(s) are supplied with an InSinkErator® NXTF stainless steel tank with filtration. Adjustable internal water temperature from 88°C to 99°C with self-closing hot valve.

Europe	United Kingdom
PRODUCT CODE	
45094A	45094
EAN CODE	
050375020905	050375020899
TYPE OF PLUG INCLUDED	
Schuko	UK plug



InSinkErator®
Suite 10, Building 6, Hatters Lane, Croxley Park,
Watford, Hertfordshire. WD18 8YH United Kingdom

Phone: +44 (0) 1923 297 880
Fax: +44 (0) 1923 800 628



InSinkErator® may make improvements and/or changes in the specifications at any time, in its sole discretion, without notice or obligation and further reserves the right to change or discontinue models. © 2019 InSinkErator®, InSinkErator® is a business unit of Emerson Electric Co. All Rights Reserved.