

Quartz Infrared Outdoor Heaters

The following information should be considered when installing Quartz Infrared Heaters.

Installation should always be carried out by a qualified electrician or a competent person in accordance with current electrical regulations, protected by a suitably rated isolator and fuse or type3 mcb.

- The heater should be mounted horizontally where possible or at a maximum angle of 35 degrees from the horizontal using the mounting brackets provided to ensure adequate clearances.
-
- A minimum air gap of 500mm should always be allowed between the top of the heater and the ceiling, roof or canvas.
- A safety distance of 1mtr should always be left in front of the heater.
- Heaters should not be installed in areas where hazardous vapours may be present as defined in BS5345
- This fitting is rated class I and IP55 suitable for outdoor use. To maintain the protection rating all connections to the mains must be done with a minimum of IP55 equipment.
- Ensure that there is no possibility of inflammable material coming into contact with the heater, or is too near the heater.

The essential element of the heater is the halogen filled quartz linear lamp with a tungsten element. This operates at about 1600°C and emits short wave infrared radiant heat.

The lamp operates at full output almost instantly and emits a radiant energy of 1.2 – 1.6 microns.

Specifications

QZWP30N – 230 - 240V 3000W 12.5Amps Protection - IP55

Spare Lamp Each lamp is 240v 1500w Part No. HE791001



This product conforms to EU Directive 2002/96/EC. This appliance bears the symbol of the crossed waste bin. This indicates that, at the end of its useful life, it must not be disposed of as domestic waste, but must be taken to a collection centre for waste electrical and electronic equipment. It is the user's responsibility to dispose of this appliance through the appropriate channels at the end of its useful life. Failure to do so may incur the penalties established by laws governing waste disposal.



INSTALLATION, OPERATION AND MAINTENANCE INSTRUCTIONS FOR

WEATHERPROOF 3kW QUARTZ-ZONE RADIANT HEATER

Catalogue Number QZWP30N

PLEASE RETAIN THIS LEAFLET FOR FUTURE MAINTENANCE



Consort Equipment Products Ltd

Registered Office: Thornton Industrial Estate
Milford Haven, Pembrokeshire, SA73 2RT
Tel: 01646 692172 Fax: 01646 695195
Email: enquiries@consortepl.com
Web: www.consortepl.com

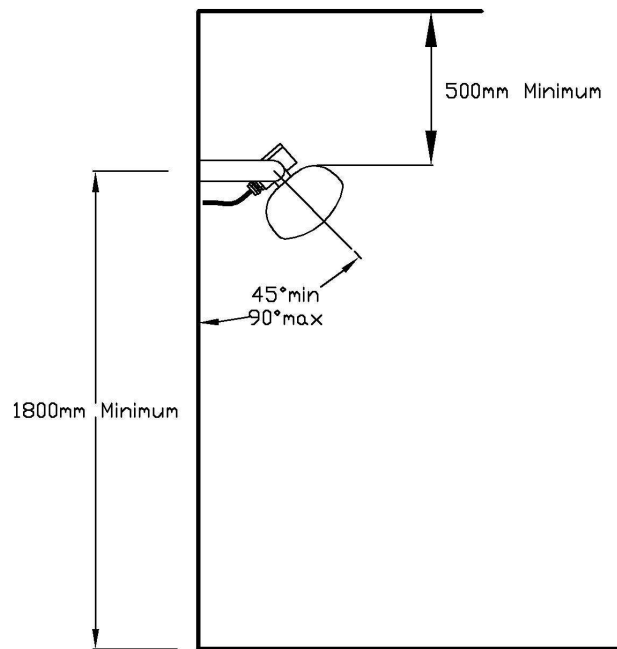
BS EN ISO 9001 Registered Company No FM12671

After unpacking make sure that the appliance is complete and shows no signs of visible damage or tampering.

- Keep packing materials, which are potential dangers, away from children.
- Check the supply voltage is the same as indicated on the device.
- Do not touch the heater with wet hands;
- The heater should only be used with adult supervision.
- Do not operate the heater without the guard in position.
- Avoid improper use of extension cords.

Installation

- The mains lead is made from high temperature cable and as such should not be replaced without consulting a suitable qualified electrician.
- The Fitting must always be installed using the mounting brackets provided. This ensures correct positioning and adequate clearance.
- This unit should be mounted at a minimum of 1800mm above ground level (see drawing below) with a minimum air gap of 500mm maintained above the heater and the ceiling or canopy.
- A safety distance of 1mtr should always be left in front of the heater.
- Ensure that there is no possibility of inflammable material coming into contact with the heater, or is too near the heater.
- The fitting must be earthed.



Wall mounting

Remove the bracket from the back of the heater by unscrewing the 2 x M8 bolts.

Before drilling any holes ensure that the wall is solid and that there are no water pipes or electrical wires in the area where you are placing the heater. Secure the bracket to the wall then refit the heater to the bracket using the 2 x M8 bolts.

The heater must be mounted at an angle of between 45 and 90 deg. (See drawing opposite)

Maintenance

The heater contains no moving parts and therefore very little maintenance is required other than to ensure that there is no excessive build-up of dust/dirt on the reflectors or emitters as this can cause overheating and premature emitter failure. To clean the appliance, turn off and disconnect from mains supply, allow to cool then wipe with a damp cloth.

Lamp replacement

The lamp used in the fitting is robust and if knocks and shock vibrations are avoided, will last for around 5000 hours.

To replace

1. Disconnect the heater from the power supply by unplugging from the mains socket and wait until the body has cooled down.
2. Remove both end caps by undoing the 2 socket head screws at each end.
3. Remove the guard and end reflectors.
4. Unclip the lamp from the spring clips at each end, allowing the emitter to move forward clear of the back reflector.
5. Unclip the reflector from the heater casing.
6. Disconnect the emitter wires from the terminals located in the electrical box on the rear of the heater, and then remove the lamp.
7. Insert the wires of the new lamp through the holes in the heater body to the electrical box and reconnect them into the terminals. Ensure that the terminals are tightened correctly to make a good electrical connection.
8. Re-assemble making sure all the parts are replaced and the guard is in position