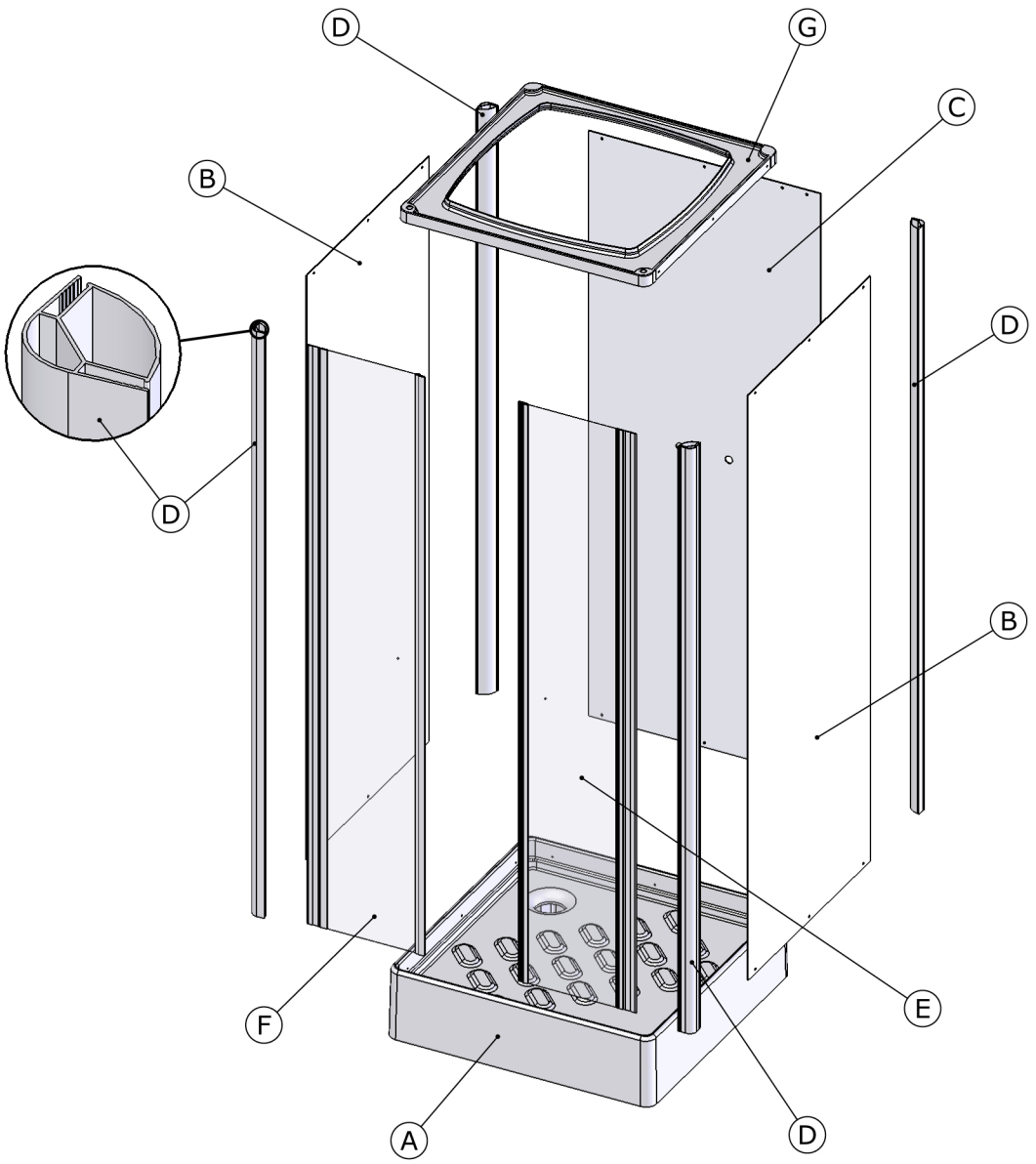


INSTALLATION INSTRUCTIONS

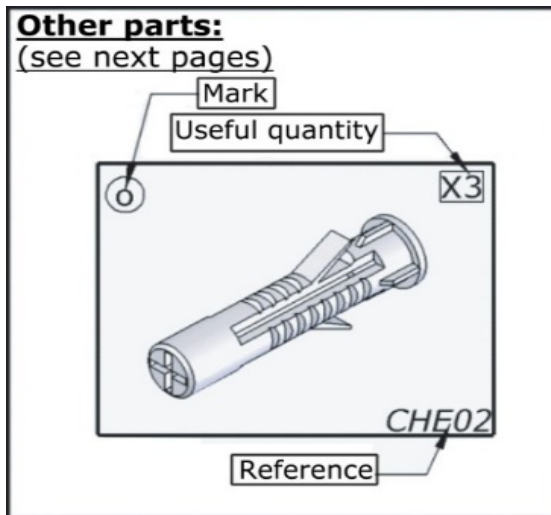


DES1383A

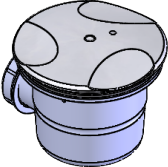
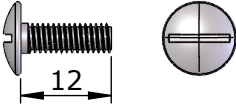
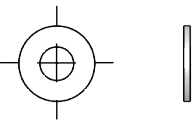

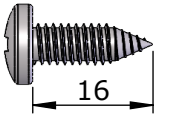
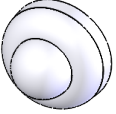
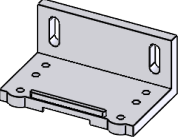
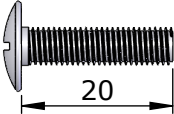

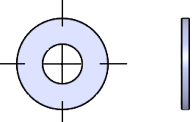

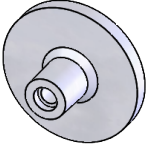
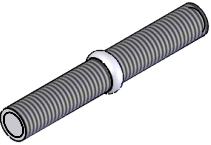

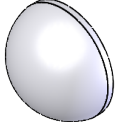


PACKAGE CODES (See marks on page 2)

A	RTH085
B	ENSW02
C	
D	EPW07
E	PORT09
F	
G	CTHW1333-E

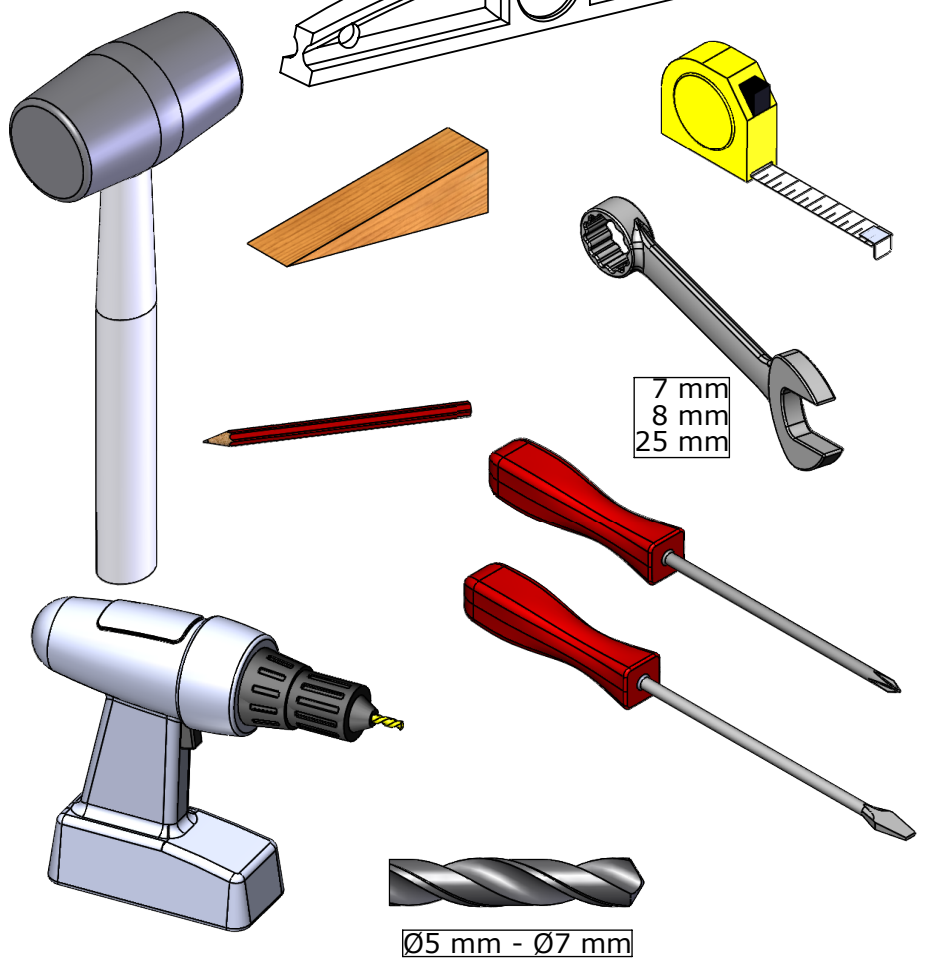


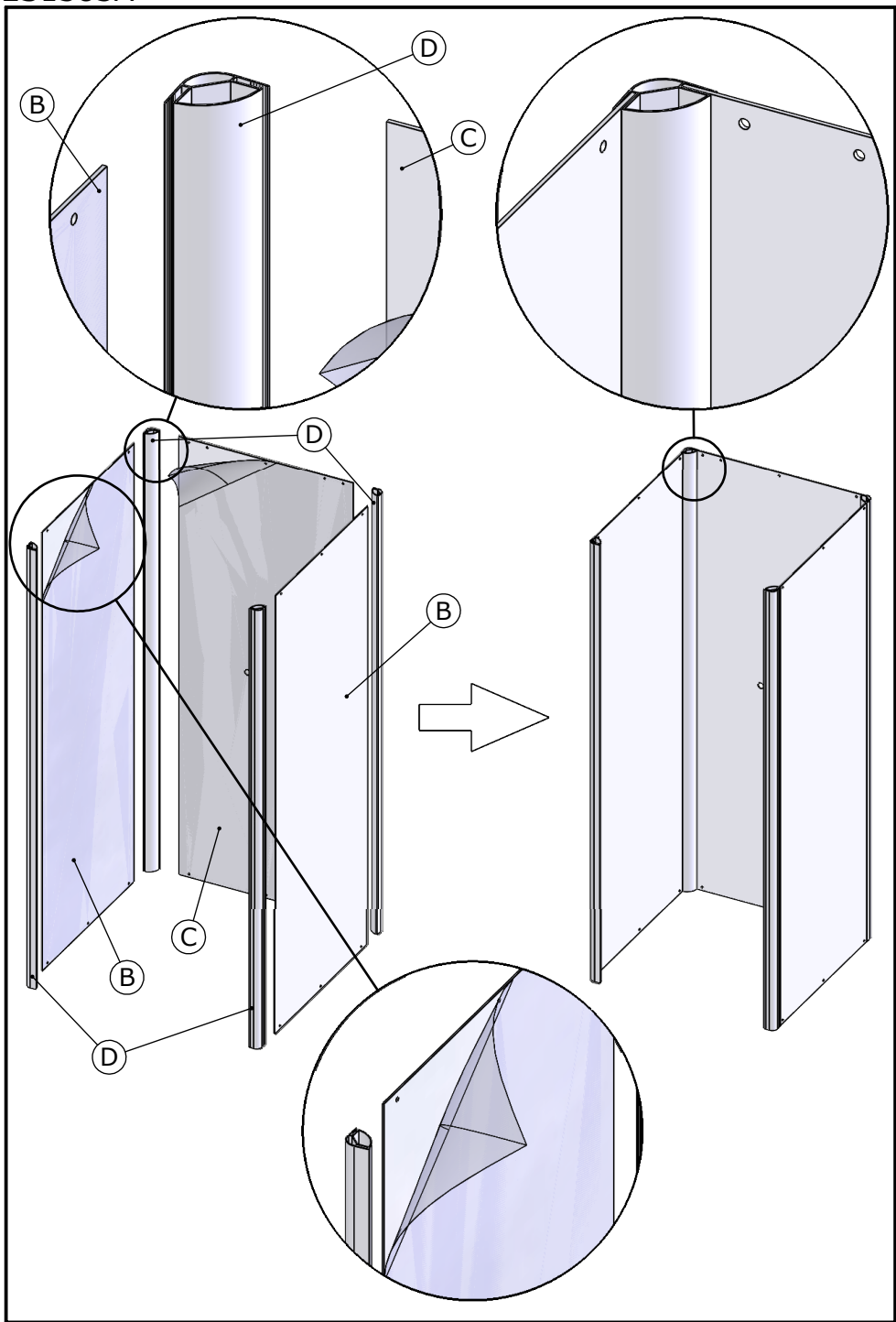
DES1383A

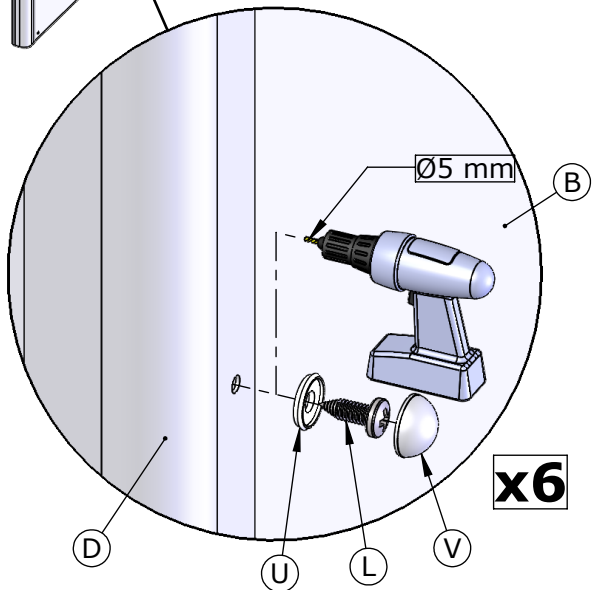
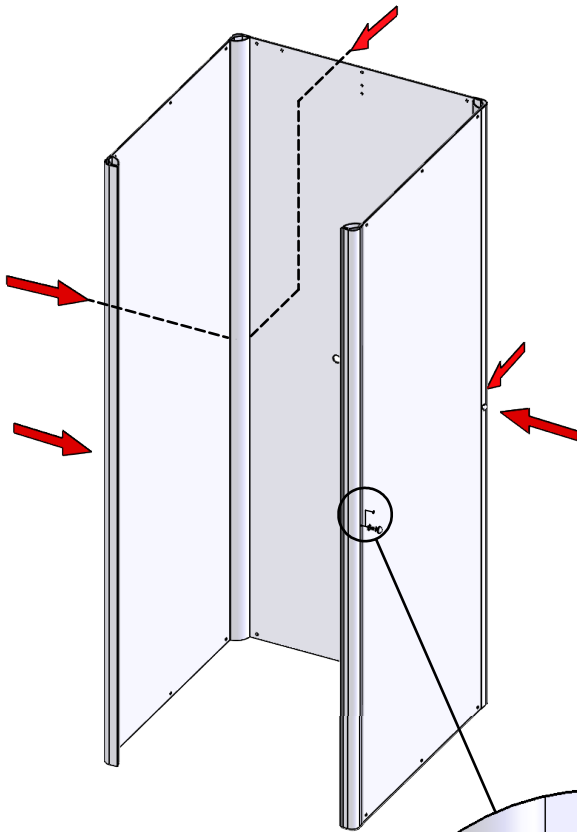
<p>(H)  X1</p> <p>BOND07</p>	<p>(I) M4 X10</p> <p></p> <p>12</p> <p>1=1 VIS87</p>	<p>(J) X10</p> <p></p> <p>1=1 RON05</p>
<p>(K) X10</p> <p></p> <p>1=1 ECR09</p>	<p>(L) Ø5,5 X17</p> <p></p> <p>16</p> <p>1=1 VIS05</p>	<p>(M) X10</p> <p></p> <p>PPL505</p>
<p>(N) X2</p> <p></p> <p>PPL503</p>	<p>(O) M5 X2</p> <p></p> <p>20</p> <p>1=1 VIS83</p>	<p>(P) M5 X2</p> <p></p> <p>25</p> <p>1=1 VIS86</p>
<p>(Q) X4</p> <p></p> <p>1=1 RON34</p>	<p>(R) X4</p> <p></p> <p>1=1 ERCORD</p>	<p>(S) X4</p> <p></p> <p>PPL502</p>
<p>(T) X2</p> <p></p> <p>DP100310</p>	<p>(U) X6</p> <p></p> <p>RON58</p>	<p>(V) X6</p> <p></p> <p>CAC10</p>

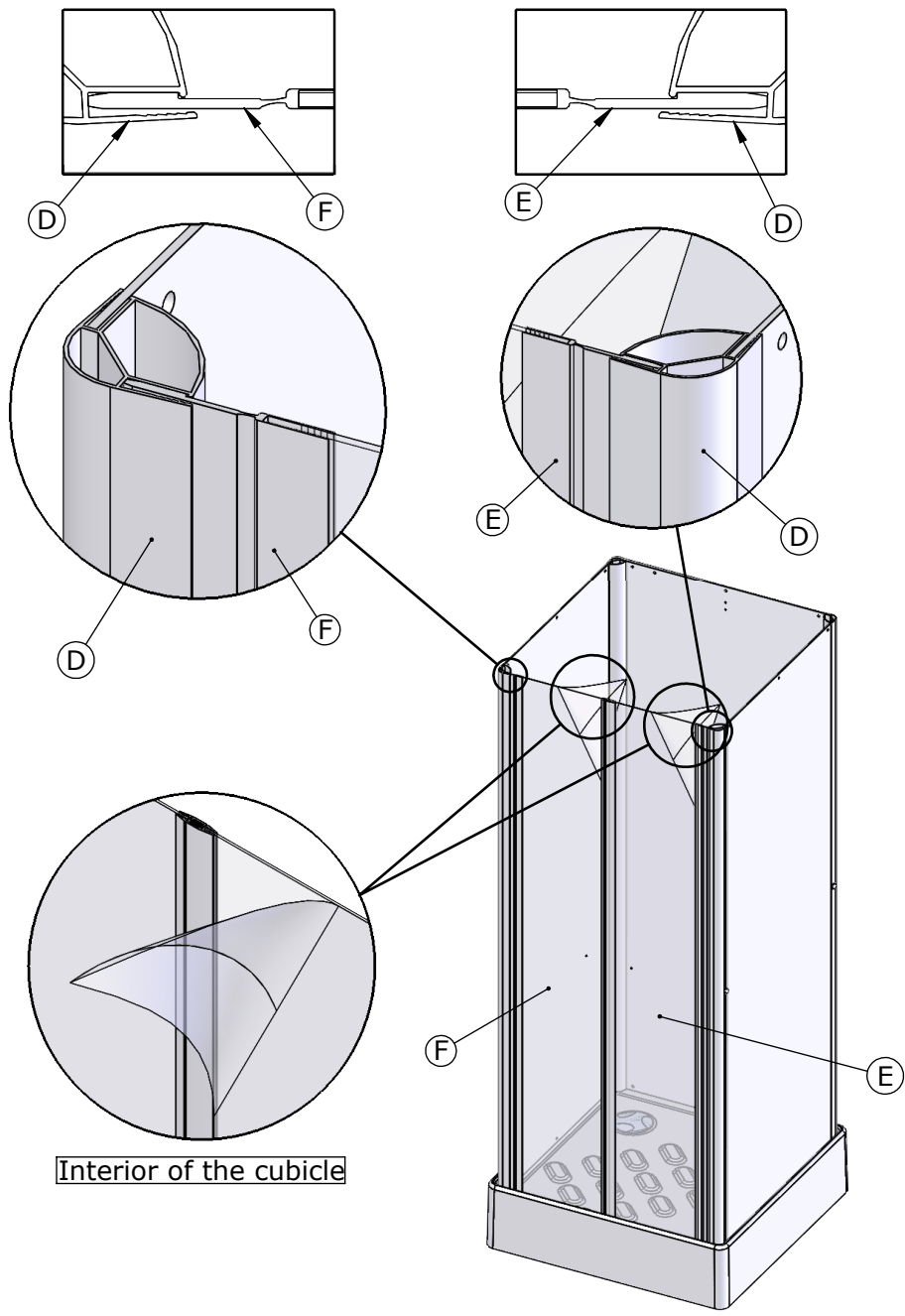
The quantities given are what are required for the installation. There may be some surplus parts in the package provided.

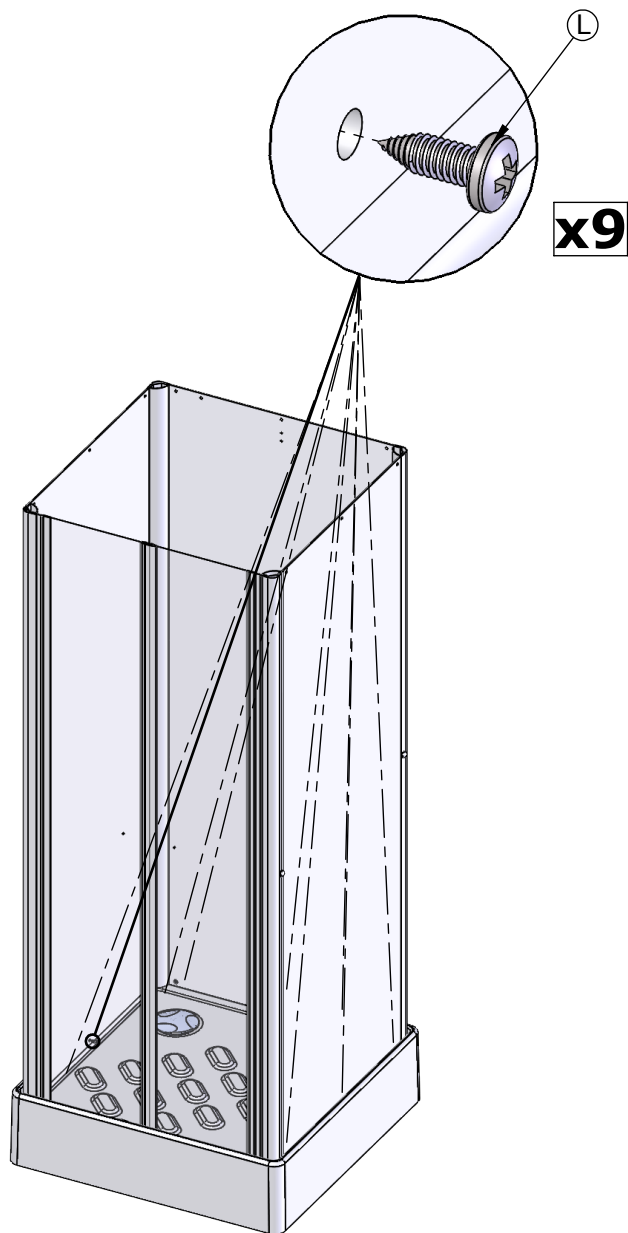
Tools required

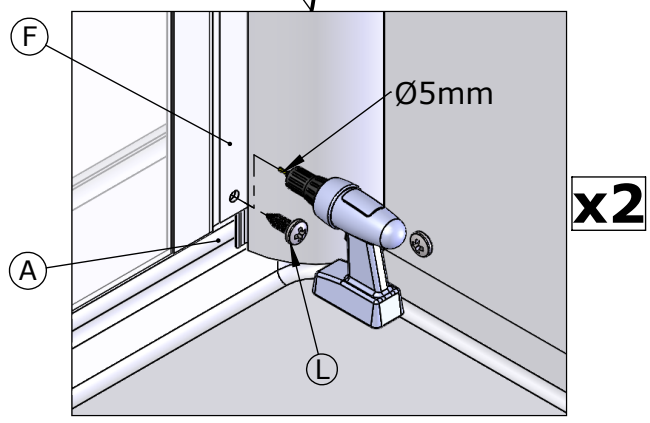
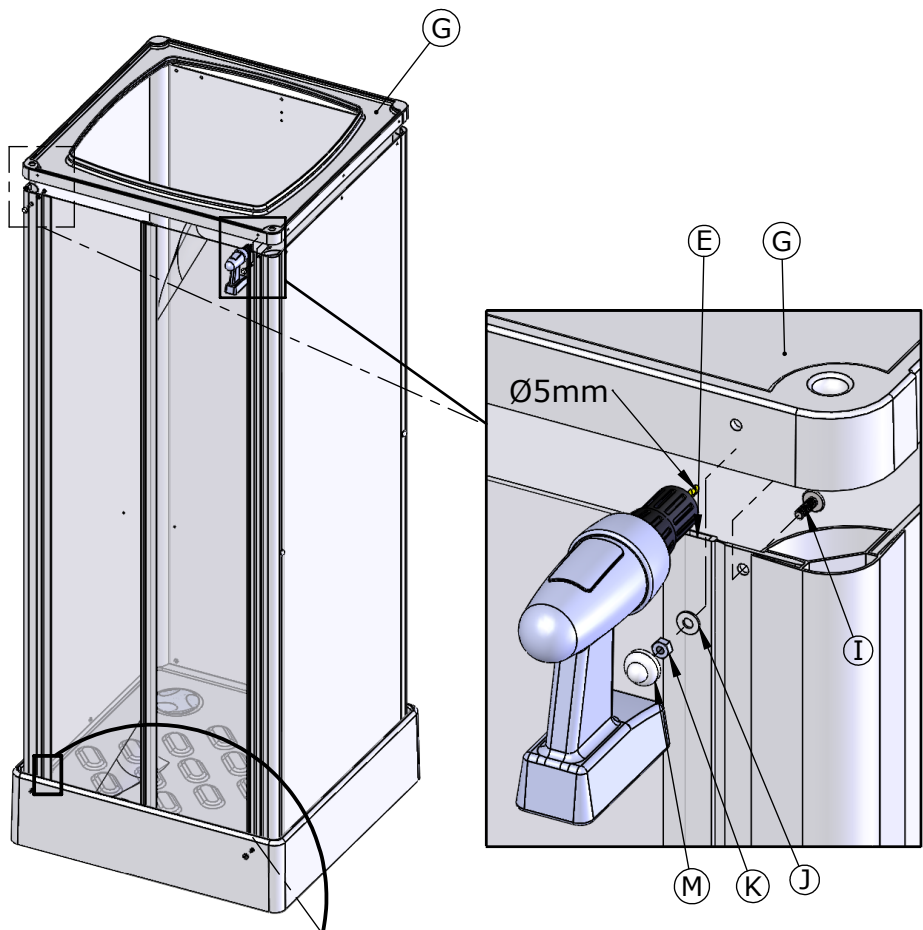




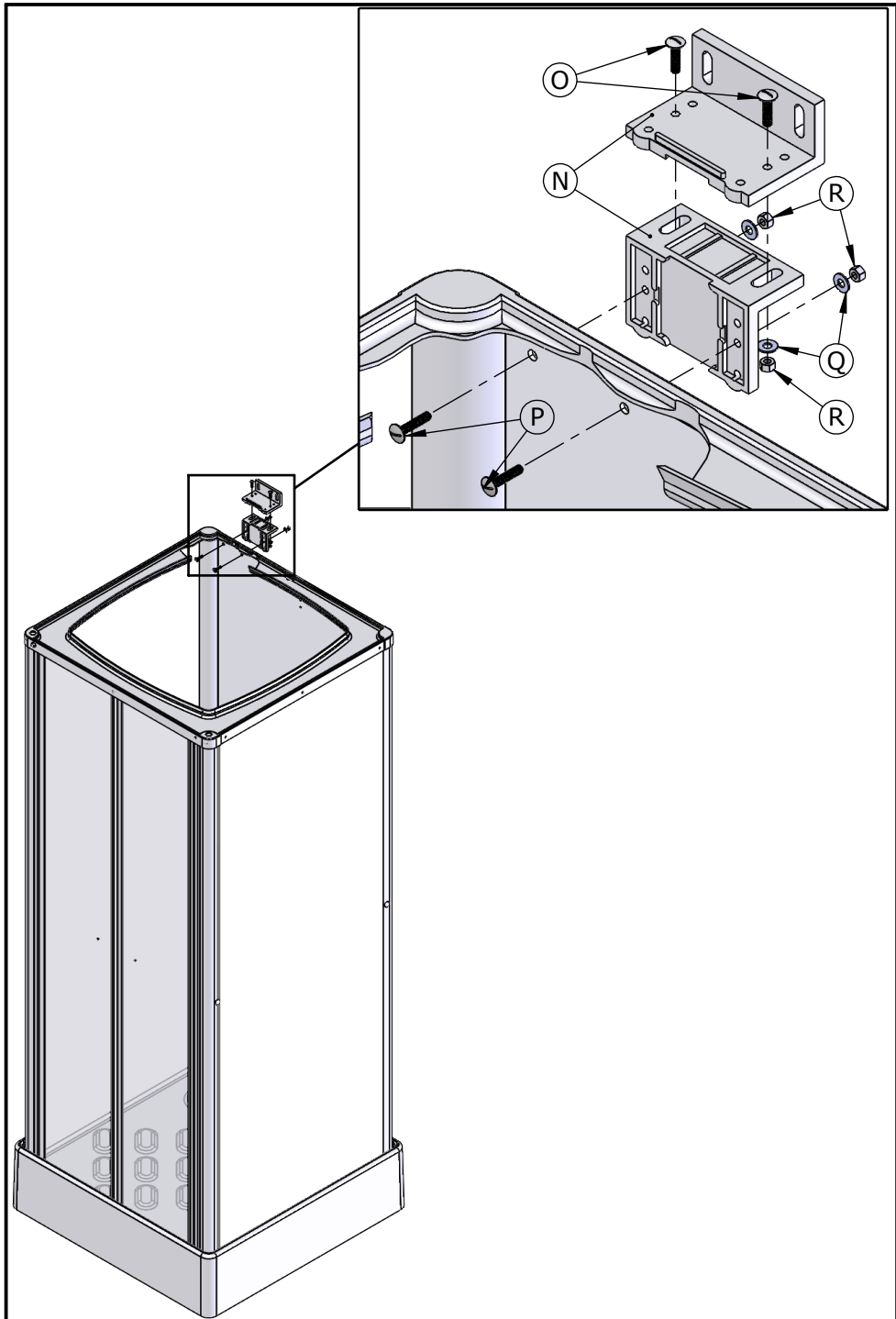


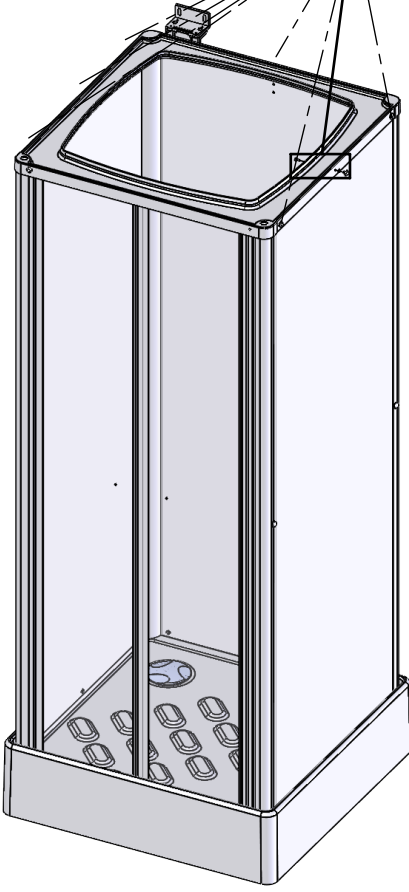
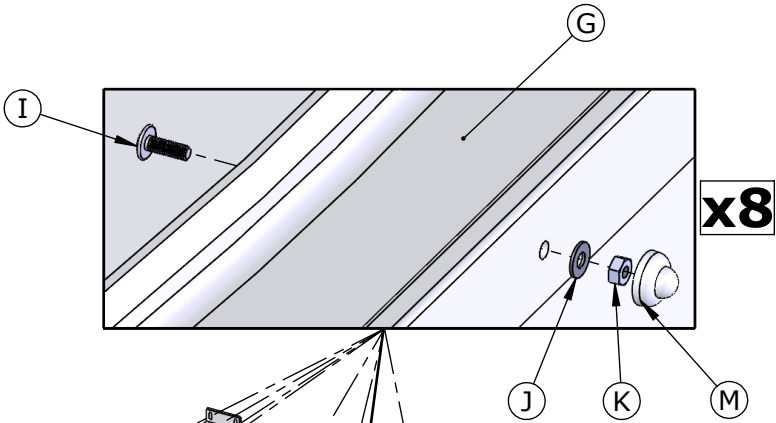


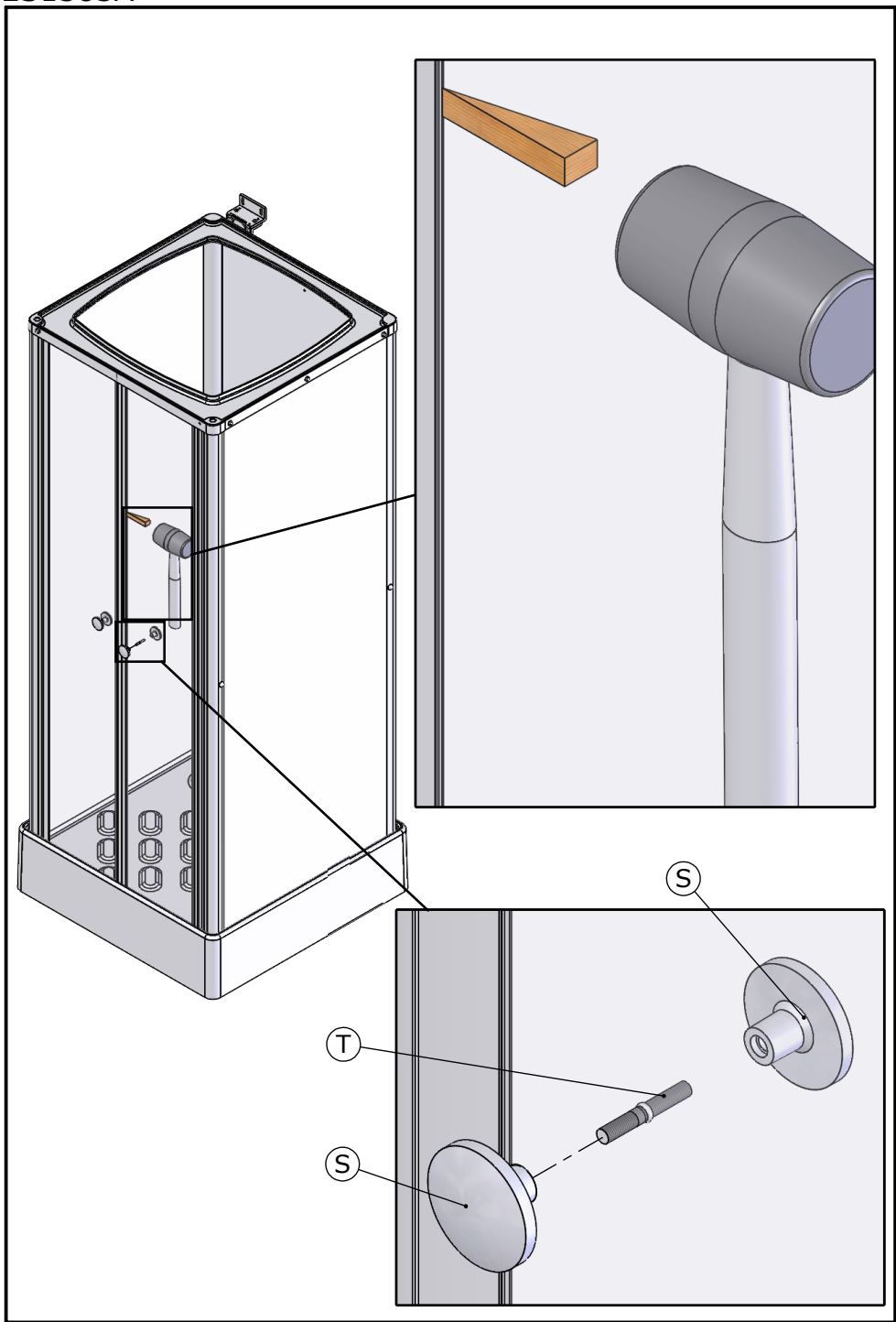




Interior of the cubicle









FOR THE ELECTRONIC PROTECTION OF YOUR SHOWER, THE METAL PARTS OF YOUR PRODUCT SHOULD BE CONNECTED TO THE EQUIPOTENTIAL CIRCUIT OF YOUR INSTALLATION.

CONTACT YOUR USUAL SHOWER FITTER FOR ADVICE.



SAV
SERVICE HELPLINES
ASSISTENZA POST-VENTITA
SERVICIO POSTVENTA

FRANCE

02 40 21 29 45

UK

020 8842 0033

IRELAND

04697 33102

DEUTSCHLAND

+49 (0) 6074 / 30928 0

ITALIA

(0382) 6181

OSTEREICH

+43 1 710 60 70

SCHWEIZ

(01) 748 17 44

ESPANA

93 544 60 76

NEDERLAND

+31 475 487 100

BELGIE

+31 475 487 100

BELGIQUE

+31 475 487 100

РОССИЯ

963 19 40, 773 67 22



AQUAPRODUCTION, Site industriel,
 F - 44680 Chaumes-en-Retz

07

EN 14428

Paroi de douche, fabriquée en verre de silicate
 sodo-calcique de sécurité trempé thermiquement

Aptitude au nettoyage : réussite

Résistance à l'impact/propriétés de fragmentation : réussite

Durabilité : réussite