



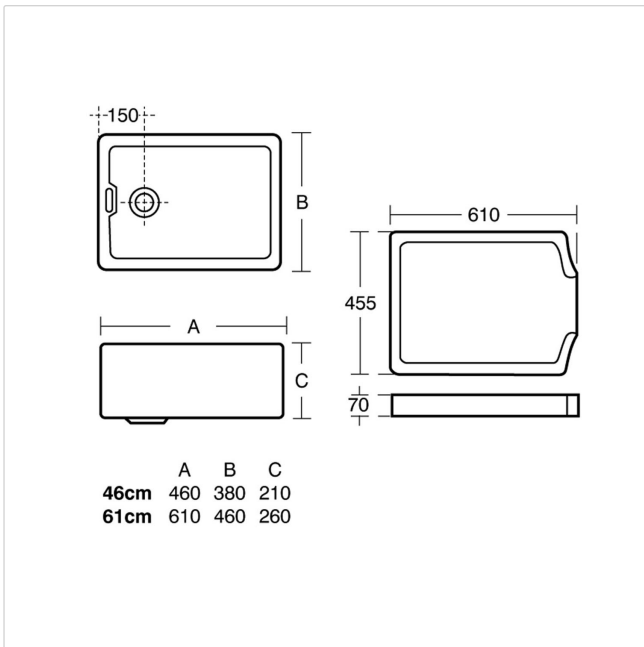
## Belfast Sink 60x46x26 Weir Overflow

### Illustrated

- S5827** Belfast sink 60 x 46 x 26cm heavy duty
- S9250** Leg 650mm stainless steel with screw to wall Aluminium alloy bearer, 405mm overall, 355mm stud (pair).
- S5835** Belfast drainer plain 61 x 46cm reversible, for sinks at least 455mm wide
- S9268** Leg 900mm stainless steel with 405mm screw to wall Aluminium alloy bearer, 355mm stud, for drainer
- S7190** Alterna Quadrant 1/2" quarter turn bib taps with ceramic discs and lever handles
- S8331** Bib tap wall mounts 1/2" for exposed plumbing (pair)
- S8769** Waste 1 1/2" slotted waste, chain and plug, screw stay, 90mm tail
- S8925** Trap 1 1/2" plastic resealing bottle with 75mm seal, multi-purpose outlet

### Configuration options

- S7205** Nimbus 1/2" inclined bib taps
- S9219** Brackets build-in Aluminium alloy, 405mm overall, 355mm stud (pair)
- S8725** Waste 1 1/2" slotted strainer waste, 80mm tail
- S8915** Trap 1 1/2" plastic bottle with 75mm seal, multi-purpose outlet
- A5900** TMV Thermostatic mixing valve 15mm



### Material

Fine Fireclay

### Weights

- S5827 45.94KG
- S9250 2.00KG
- S5835 14.00KG
- S9268 2.00KG
- S7190 1.00KG
- S8331 1.80KG
- S8769 0.41KG
- S8925 0.33KG

### Standards

Sinks conform to BS 1206: 1974

### Special Notes

Stainless steel leg can be reduced in height on site.  
Recommended 900mm legs when used with fireclay drainer.

Consideration may be given to safe hot water delivery and the use of an appropriate temperature reduction device see A5900AA

### Colours

White (01)



### Frequently used applications

- Education
- Factory
- General Healthcare
- Hotels
- Office
- Public Building
- Sports and Leisure