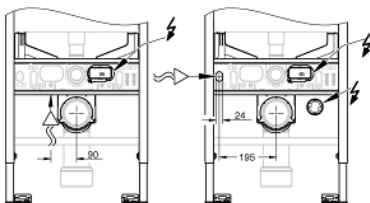
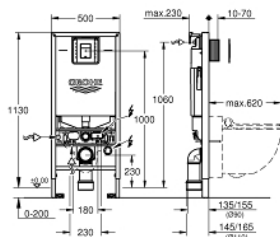


39 603 000 3-IN-1 SET FOR WC, 1.13 M INSTALLATION HEIGHT

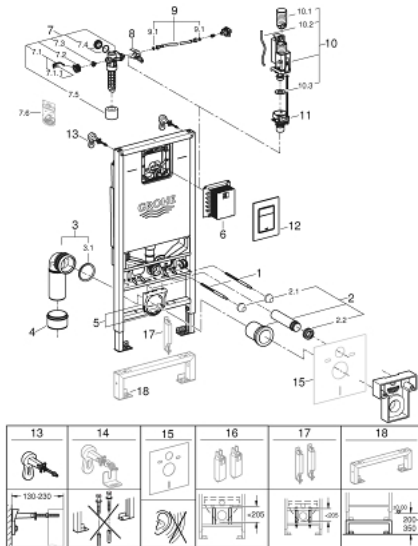


PRODUCT DESCRIPTION

- flushing cistern GDx, 6 l
- Consisting of:
 - Rapid SLX element for WC (39 596 000) with integrated power socket
 - Skate Cosmopolitan S flush plate, chrome (37 535 000)
 - Rapid SL front wall brackets (38 558 00M)
- including flow manager



39 603 000 3-IN-1 SET FOR WC, 1.13 M INSTALLATION HEIGHT



SPARE PARTS, January 2020 – now

- 1: Threaded bolt (Order-nr. 4276400M)
 - 2: WC inlet and outlet connecting set (Order-nr. 37311K00)
 - 2.1: Basin fastening (Order-nr. 43511SH0)
 - 2.2: Connector (Order-nr. 37119000)
 - 3: PP-outlet bend \varnothing 90 mm (Order-nr. 42327000)
 - 4: 4" outlet adaptor for Rapid SL (Order-nr. 42242000)
 - 5: Support for outlet bend (Order-nr. 42243000)
 - 6: Inspection shaft for small flush plates (Order-nr. 40911000)
 - 7: Filling valve (Order-nr. 42583000)
 - 7.1: Lever (Order-nr. 43734000)
 - 7.1.1: Sealing washer (Order-nr. 4377000M)
 - 7.2: Valve head (Order-nr. 43536000)
 - 7.3: Membrane (Order-nr. 4375800M)
 - 7.4: Screw cap (Order-nr. 43735000)
 - 7.5: Valve FLOAT, 5 pcs.. (Order-nr. 4379100M)
 - 7.6: Set of seals (Order-nr. 43722000)*
 - 8: Support device (Order-nr. 42246000)
 - 9: Connecting hose (Order-nr. 42233000)
 - 9.1: O-Ring (Order-nr. 0319100M)
 - 10: Dual Flush discharge valve AV1 (Order-nr. 42320000)
 - 10.1: Extension for overflow pipe (Order-nr. 42313000)
 - 10.2: Pneumatic hose (Order-nr. 42319000)
 - 10.3: Sealing washer (Order-nr. 42310000)
 - 11: Valve seat (Order-nr. 42593000)
 - 12: Front wall brackets (Order-nr. 3855800M)
 - 13: Flush plate (Order-nr. 37535000)
 - 14: Set for noise protection (Order-nr. 37131000)*
 - 15: Xtra wall brackets, flexible placing (Order-nr. 38733000)*
 - 16: Accessory (Order-nr. 39607000)*
 - 17: Rapid SLX Height set 200-350MM (Order-nr. 38629001)*
- * Optional accessories